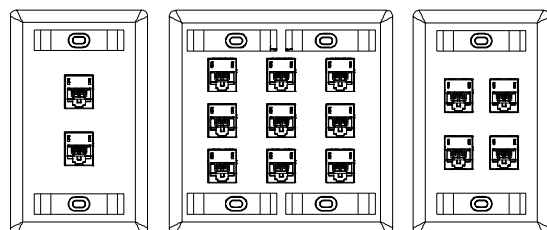




IFP SERIES FACEPLATES



ALWAYS INSTALL TOP ROW OF JACKS
 OR SF CONNECTORS FIRST.
 ALWAYS INSTALL WITH JACK TABS DOWN.

CATALOG #'S FOR
 SINGLE GANG PLATES

- IFP11***
- IFP12***
- IFP13***
- IFP14***
- IFP16***

CATALOG #'S FOR
 DOUBLE GANG PLATES

- IFP29***
- IFP212***
- IFP26***

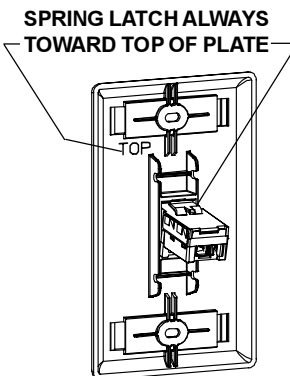


FIGURE 1

TILT JACK OR SF CONNECTOR
 AND SECURE FIXED LATCH INTO
 KEYSTONE OPENING
 ROTATE THE JACK OR SF
 CONNECTOR, SECURING SPRING
 LATCH.

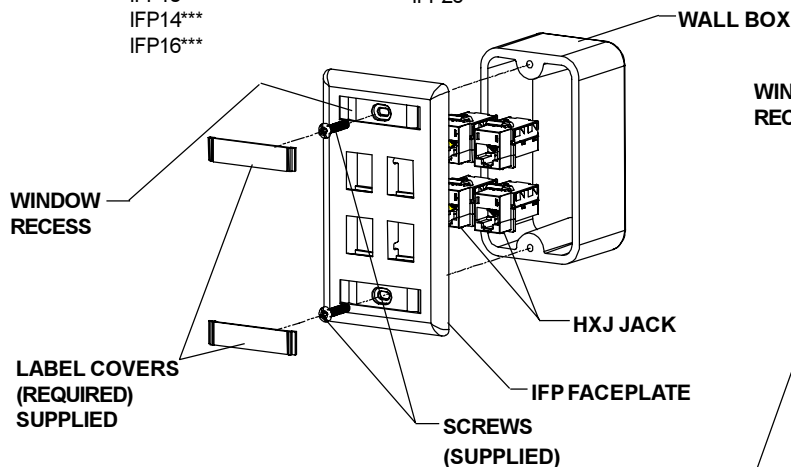
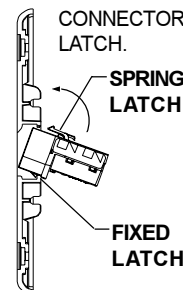


FIGURE 2

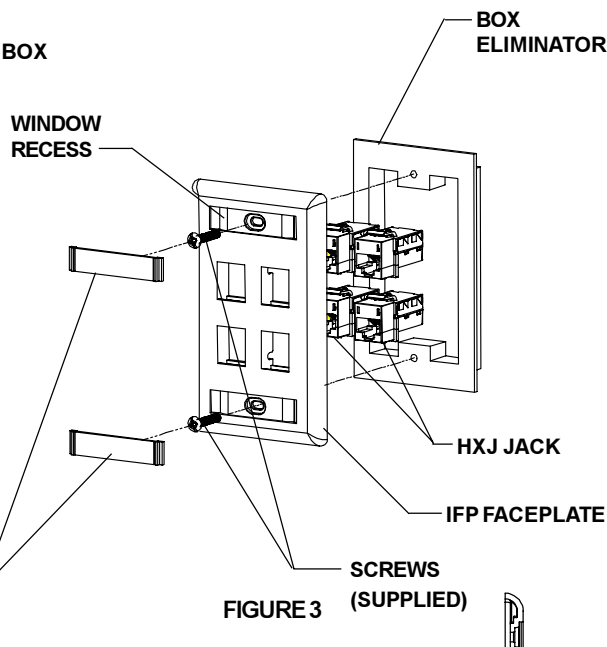


FIGURE 3

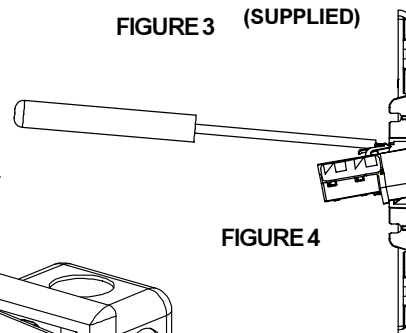


FIGURE 4

1. INSTALL JACKS OR SF CONNECTORS INTO PLATE. (SEE FIGURE 1)
2. SECURE PLATE TO WALL BOX OR BOX ELIMINATOR WITH SUPPLIED SCREWS.
 (APPLY MINIMAL TORQUE TO SECURE PLATE TO WALL)
3. INSERT LABELS AND COVERS OVER SCREWS: (FIGURES 2 & 3)
 - A. FOR LABELS, INSERT PAPER INTO WINDOW RECESS
 (BLANK LABELS ARE SUPPLIED).
 - B. INSERT LEFT END OF CLEAR COVER APPROXIMATELY
 1/2" INTO RECESS AT LEFT END OF WINDOW OPENING.
 - C. DEPRESS RIGHT END OF COVER AND SLIDE TO RIGHT
 UNTIL COVER LATCHES FLUSH WITH THE FACE OF PLATE.
4. WHEN USING COLORED COVERS:
 FOLLOW STEPS 3B AND 3C
5. JACK REMOVAL INSTRUCTIONS: (SEE FIGURE 4)
 USING SCREW DRIVER, OR ANY USABLE TOOL, DEPRESS
 SPRING LATCH AND TILT OUT.
6. TO REMOVE LABEL COVER: (SEE FIGURE 5)
 DEPRESS ONE END OF COVER AND PUSH TOWARDS NEAR
 END OF WINDOW RECESS UNTIL OPPOSITE END RELEASES.

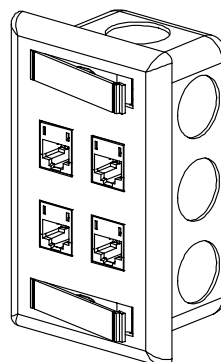


FIGURE 5

**FOR MORE INFORMATION,
 REFERENCE THE INFINE FACE
 PLATE DATA SHEET.
 SEE CONTACTS TO THE LEFT.**