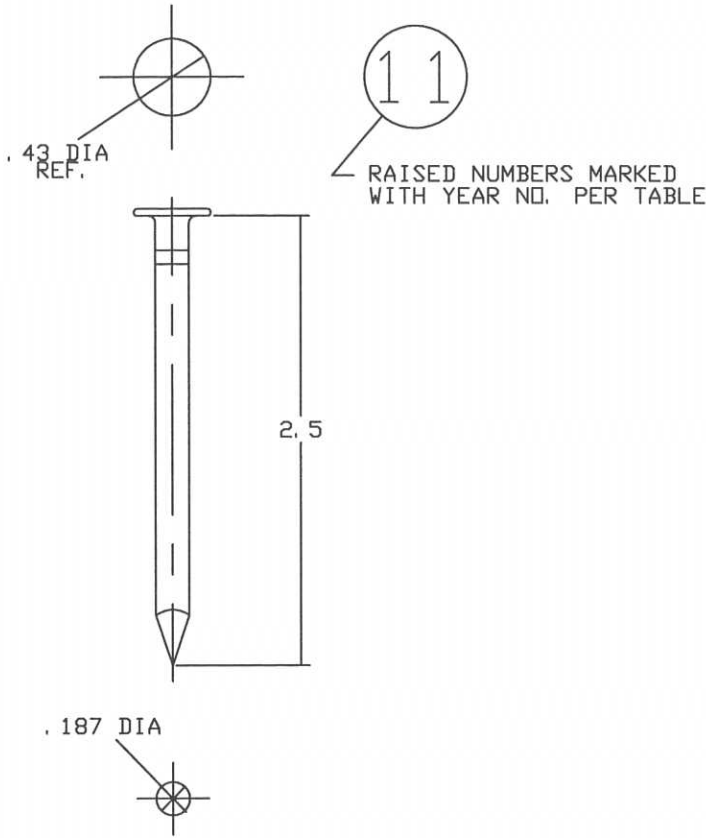


-NOTES-

1. MAT'L: LOW CARBON STEEL, HOT DIP GALV.



CAT. NO.	DESCRIPTION	YEAR NO.
PSC2052008	POLE DATING NAIL	08
PSC2052009	POLE DATING NAIL	09
PSC2052010	POLE DATING NAIL	10
PSC2052011	POLE DATING NAIL	11
PSC2052012	POLE DATING NAIL	12
PSC2052013	POLE DATING NAIL	13
PSC2052014	POLE DATING NAIL	14
PSC2052015	POLE DATING NAIL	15
PSC2052016	POLE DATING NAIL	16

CHANCE TOLERANCE CHART		HUBBELL POWER SYSTEMS	
CONFIDENTIAL: THIS DRAWING AND ITS CONTENTS ARE CONFIDENTIAL AND THE EXCLUSIVE PROPERTY OF HUBBELL POWER SYSTEMS. NO PUBLICATION, DISTRIBUTION OR COPIES MAY BE MADE WITHOUT THE WRITTEN CONSENT OF HUBBELL POWER SYSTEMS. HUBBELL POWER SYSTEMS UNPUBLISHED. ALL RIGHTS RESERVED UNDER THE COPYRIGHT LAWS.			
TITLE POLE DATING NAIL		SIZE SB SA205-1991	CAT / PART / ASSY NO. SEE CHART
DO NOT SCALE THIS DRAWING	DRN BY WILSON	DATE 05/16/11	REV -- SHEET 01 OF 01