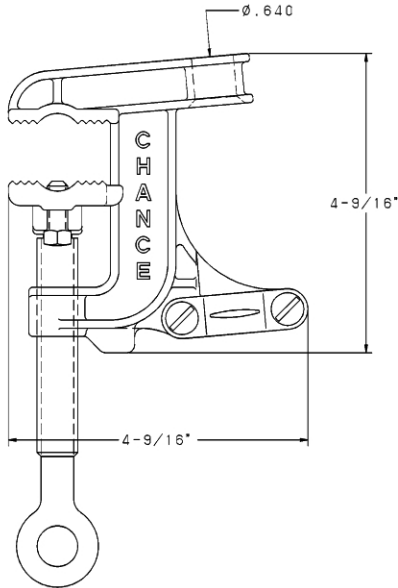
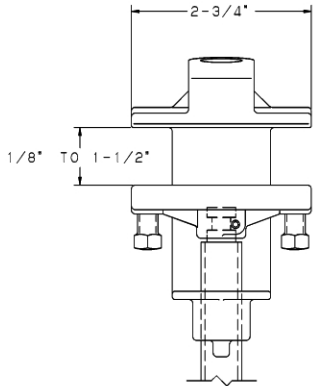


- BRONZE BODY
- SERRATED JAWS
- BRONZE EYE SCREW WITH ACME THREADS
- MAINLINE RANGE - MAX 1-1/2" THK ANGLES - 1-1/2" THK FLAT
- MAINLINE RANGE - MIN 1/8"



CAT. NO. C600-2232

- FAULT RATING FOR THIS GROUND CLAMP IS 43,000 AMPS FOR 15 CYCLES AND 30,000 AMPS FOR 30 CYCLES PER ASTM F855 SPEC.

LATEST EC NO:	REV.	DATE	CHANGED BY	RESP ENGINEER
02151	-	-----	---	WEST
DRN BY: DATE QUALLS 18/04/03				TITLE: CLAMP, FLAT FACE
MURBELL POWER SYSTEMS				CHANCE® SA600-2232
Dwg No: SA600-2232				1/2"

CONFIDENTIAL: THIS DRAWING AND ITS CONTENTS ARE CONFIDENTIAL AND THE EXCLUSIVE PROPERTY OF MURBELL. NO REPRODUCTION, DISTRIBUTION, OR PUBLICATION, IN ANY FORM OR BY ANY MEANS, WITHOUT THE WRITTEN PERMISSION OF MURBELL IS PERMITTED. © 2000 MURBELL/A. B. CHANCE. UNPUBLISHED - ALL RIGHTS RESERVED UNDER THE COPYRIGHT LAWS