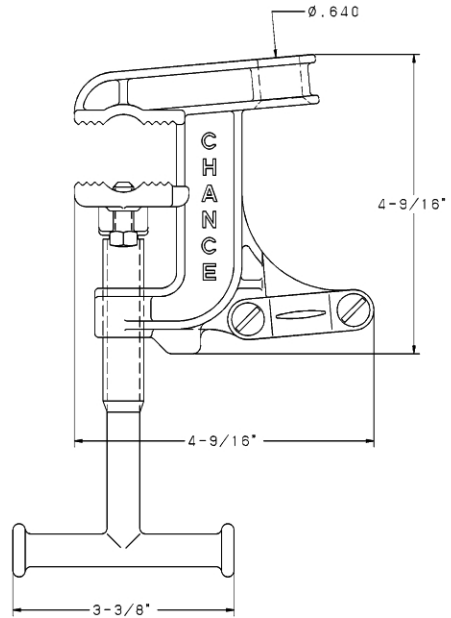
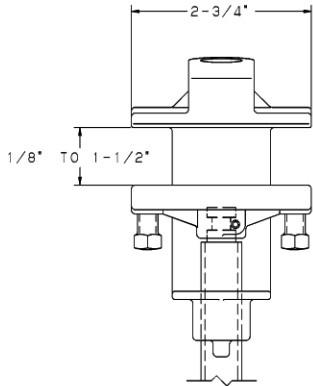


- BRONZE BODY
- SERRATED JAWS
- BRONZE T-HANDLE WITH ACME THREADS
- MAINLINE RANGE - MAX 1-1/2" THK ANGLES - 1-1/2" THK FLAT
- MAINLINE RANGE - MIN 1/8"



CAT. NO. C600-2231

- FAULT RATING FOR THIS GROUND CLAMP IS 43,000 AMPS FOR 15 CYCLES AND 30,000 AMPS FOR 30 CYCLES PER ASTM F855 SPEC.

LATEST EC NO:	REV.	DATE	CHANGED BY	RESP ENGINEER
02151	-	-----	---	WEST
DRN BY: DATE TITLE: <b>CLAMP, FLAT FACE</b>				THIRD ANGLE PROJECTION 1:1 ISO DUAL DIMENSIONS 1/8"=1 INCH MM=MILLIMETER
QUALLS 18/24/03				DWG NO: SA600-2231

CONFIDENTIAL: THIS DRAWING AND ITS CONTENTS ARE CONFIDENTIAL AND THE EXCLUSIVE PROPERTY OF MURBELL POWER SYSTEMS. NO REPRODUCTION, DISTRIBUTION, OR DISSEMINATION OF THIS DRAWING OR ITS CONTENTS IS PERMITTED WITHOUT THE WRITTEN CONSENT OF MURBELL POWER SYSTEMS. © 2000 MURBELL/A. B. CHANCE. UNPUBLISHED - ALL RIGHTS RESERVED UNDER THE COPYRIGHT LAWS