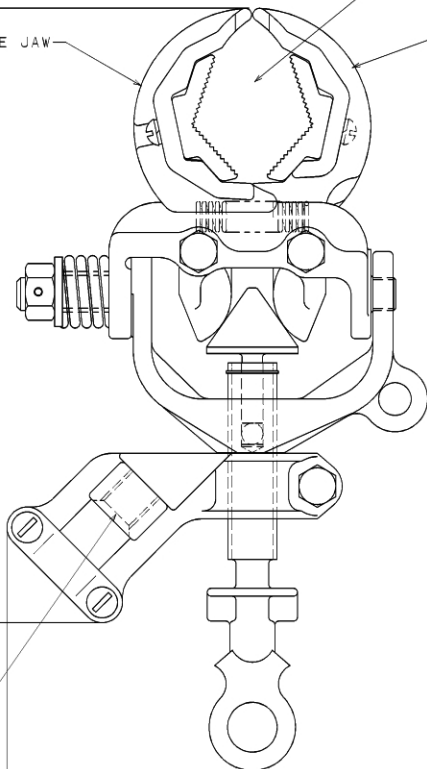


MAIN LINE RANGE - MAX. 2.88 DIA.
 MAIN LINE RANGE - MIN. 0.258 DIA.

DOUBLE JAW

SINGLE JAW

10.3"



5/8-11UNC-2B
 TERMINAL THREADS

6.7"
 16

ALUMINUM BODY
 SERRATED JAWS
 BRONZE EYESCREW
 WITH FINE THREADS

CAT. NO. GC600-1732

FAULT RATING FOR THIS GROUND CLAMP IS
 43,000 AMPS FOR 15 CYCLES AND 30,000 AMPS
 FOR 30 CYCLES PER ASTM F655 SPEC.

LATEST EC NO:	REV.	DATE	CHANGED BY	RESP ENGINEER
98071005	-	-----	---	KING

DO NOT SCALE THIS DWG

THIRD ANGLE PROJECTION

ISO DUAL DIMENSIONS
 1X=INCH. MM=MILLIMETER

DRN BY:	DATE	TITLE:
QUALLS	08-07-88	ALL-ANGLE GROUND CLAMP C



DWG NO: SA600-1732

CONFIDENTIAL: THIS DRAWING AND ITS CONTENTS ARE CONFIDENTIAL AND THE EXCLUSIVE PROPERTY OF MURBELL POWER SYSTEMS. NO REPRODUCTION, DISTRIBUTION, COPIING, OR ANY OTHER USE IS PERMITTED WITHOUT THE WRITTEN CONSENT OF MURBELL POWER SYSTEMS. © 2000 MURBELL/A. B. CHANCE. UNPUBLISHED - ALL RIGHTS RESERVED UNDER THE COPYRIGHT LAWS