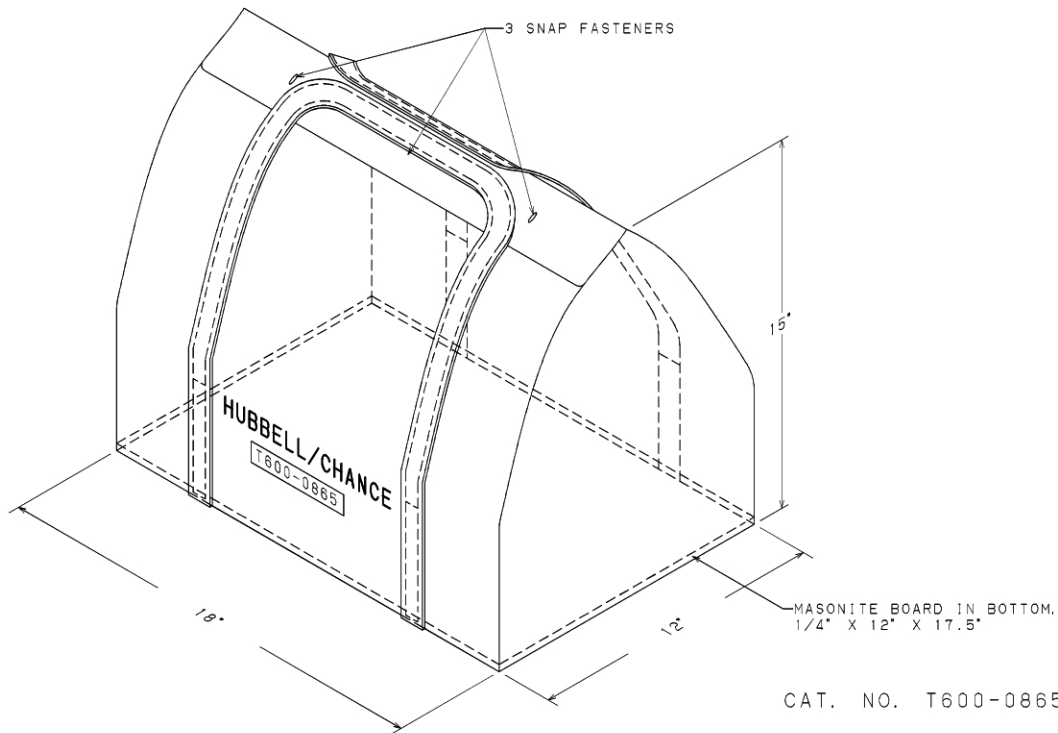






-NOTES-

1. MATERIALS: HEAVY-DUTY VINYL IMPREGNATED FABRIC.



LATEST EC NO:	REV.	DATE	CHANGED BY	RESP ENGINEER
02429	A	3/2/01	QUALLS	WEST
<small>DO NOT SCALE THIS DWG</small>				<small>THIRD ANGLE PROJECTION</small> 
<small>ISO DUAL DIMENSIONS 1/8"=1"CH. MM=MILLIMETER</small>				
DRN BY: MARTIN	DATE: 10-01-03	TITLE: BAG, GROUND SET		SIZE: C
				
<small>DWG NO: SA600-0865</small>				

CONFIDENTIAL: THIS DRAWING AND ITS CONTENTS ARE CONFIDENTIAL AND THE EXCLUSIVE PROPERTY OF HUBBELL/CHANCE. NO REPRODUCTION, PUBLICATION, OR DISTRIBUTION OF THIS DRAWING OR ITS CONTENTS IS PERMITTED WITHOUT THE WRITTEN CONSENT OF HUBBELL/CHANCE. © 2001 HUBBELL/A. B. CHANCE. UNPUBLISHED - ALL RIGHTS RESERVED UNDER THE COPYRIGHT LAWS