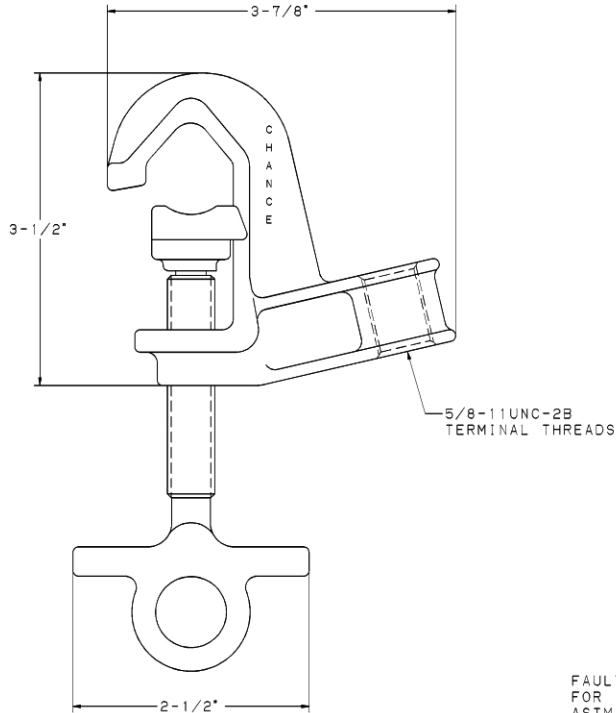






- BRONZE BODY
- SMOOTH JAWS
- BRONZE EYESCREW WITH FINE THREADS
- MAIN LINE RANGE - MAX .814 DIA.
- MAIN LINE RANGE - MIN .162 DIA.



CAT. NO. T600-0790

FAULT RATING FOR THIS GROUND CLAMP IS 21,500 AMPS FOR 15 CYCLES AND 15,000 AMPS FOR 30 CYCLES PER ASTM F855 SPEC.

LATEST EC NO:	REV.	DATE	CHANGED BY	RESP ENGINEER
02389	A	2/22/01	QUALLS	WEST
<small>DO NOT SCALE THIS DWG</small>				<small>THIRD ANGLE PROJECTION</small> 
<small>ISO DUAL DIMENSIONS 1/8"=1"CH. MM=MILLIMETER</small>				
DRN BY:	DATE:	TITLE:		SIZE:
QUALLS	18/09/03	CLAMP, GROUND		C
				
			DWG NO:	SA600-0790

CONFIDENTIAL: THIS DRAWING AND ITS CONTENTS ARE CONFIDENTIAL AND THE EXCLUSIVE PROPERTY OF HUBBELL. NO REPRODUCTION, DISTRIBUTION, OR PUBLICATION, IN ANY FORM OR BY ANY MEANS, IS PERMITTED WITHOUT THE WRITTEN CONSENT OF HUBBELL. © 2001 HUBBELL/A. B. CHANCE. UNPUBLISHED - ALL RIGHTS RESERVED UNDER THE COPYRIGHT LAWS