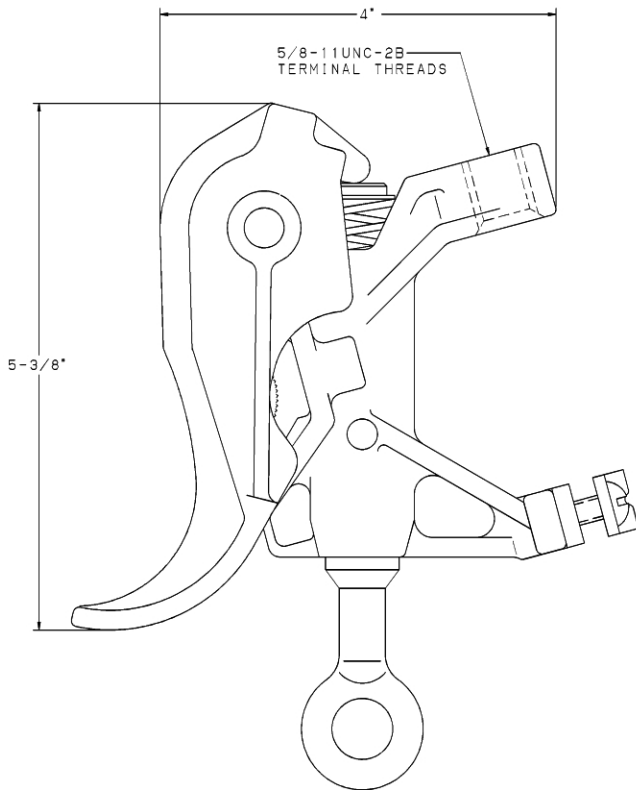






- ALUMINUM BODY
- SMOOTH JAWS
- BRONZE EYESCREW WITH FINE THREADS

- MAIN LINE RANGE - MAX 1.506 DIA.
- MAIN LINE RANGE - MIN 0.162 DIA



CAT. NO. C600-0197

FAULT RATING FOR THIS GROUND CLAMP IS 43,000 AMPS FOR 15 CYCLES AND 30,000 AMPS FOR 30 CYCLES PER ASTM F855 SPEC.

LATEST EC NO:	REV.	DATE	CHANGED BY	RESP ENGINEER
02160	-	-----	---	WEST
<small>DO NOT SCALE THIS DWG</small>				<small>THIRD ANGLE PROJECTION</small> 
<small>ISO DUAL DIMENSIONS 1/8"=1"CH. MM=MILLIMETER</small>				
<small>DRN BY:</small> QUALLS <small>DATE:</small> 18/04/03	<small>TITLE:</small> CLAMP, GROUNDING			<small>SIZE:</small> C
				<small>DWG NO:</small> SA600-0197 

CONFIDENTIAL: THIS DRAWING AND ITS CONTENTS ARE CONFIDENTIAL AND THE EXCLUSIVE PROPERTY OF HUBBELL. NO REPRODUCTION, PUBLICATION, OR DISTRIBUTION OF THIS DRAWING OR ITS CONTENTS IS PERMITTED WITHOUT THE WRITTEN CONSENT OF HUBBELL. © 2001 HUBBELL/A. B. CHANCE. UNPUBLISHED - ALL RIGHTS RESERVED UNDER THE COPYRIGHT LAWS