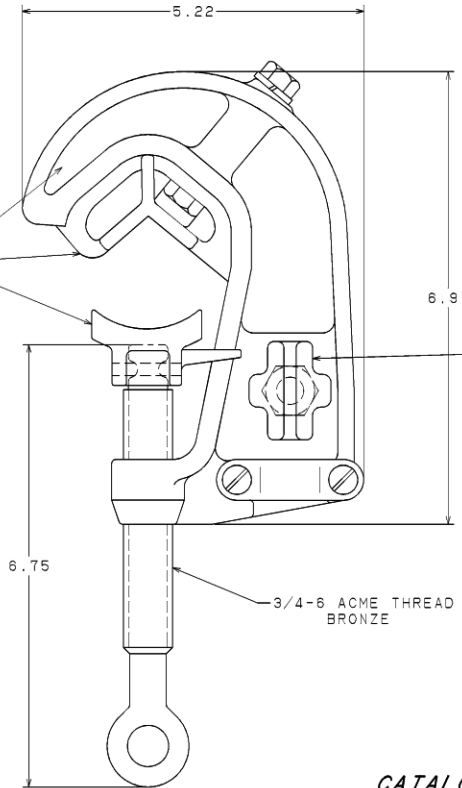


2.38

ALUMINUM BODY,  
GRIPPER, & INSERT



5.22

6.91

BRONZE JUMPER  
TERMINAL

6.75

3/4-6 ACME THREAD  
BRONZE

CATALOG NUMBER  
G3367-2

ELECTRICAL RATINGS

CONTINUOUS CURRENT (AMPS) 400  
 FAULT CURRENT - 15 CYCLES (AMPS) 43,000  
 FAULT CURRENT - 30 CYCLES (AMPS) 30,000

MECHANICAL RATINGS

RECOMMENDED TORQUE (INCH-LBS.) 250  
 MAIN LINE RANGE - MAX. 2-1/2" O. D. BUS  
 MAIN LINE RANGE - MIN. #4 STR. CU. (.232")  
 JUMPER RANGE - MAX. 4/0 GRD. CABLE W/ FERRULE  
 JUMPER RANGE - MIN. #2 GRD. CABLE W/ FERRULE  
 WEIGHT EACH 2-3/8 LBS. / 1.1 KG.  
 ASTM F855 GRADE

250  
 2-1/2" O. D. BUS  
 #4 STR. CU. (.232")  
 4/0 GRD. CABLE W/ FERRULE  
 #2 GRD. CABLE W/ FERRULE  
 2-3/8 LBS. / 1.1 KG.  
 TYPE 1, CLASS A, GRADE 5

| LATEST EC NO.   | REV. | DATE  | CHANGED BY | RESP. ENGINEER             |
|---|------|-------|------------|----------------------------|
| 92092104  | -    | ----- | ---        | KING                       |
| DRN BY: DATE TITLE: JONES 08-24-92 SUB-STATION BUS-CLAMP ASSEMBLY |      |       |            | <br>THIRD ANGLE PROJECTION |
| <br>MURBELL POWER SYSTEMS   |      |       |            | <br>CHANCE                 |
| <br>GAS   |      |       |            | DWG NO: SA3367-2Q          |

CONFIDENTIAL: THIS DRAWING AND ITS CONTENTS ARE CONFIDENTIAL AND THE EXCLUSIVE PROPERTY OF MURBELL/CHANCE. NO REPRODUCTION, DISTRIBUTION, OR DISSEMINATION OF THIS DRAWING OR ITS CONTENTS IS PERMITTED WITHOUT THE WRITTEN CONSENT OF MURBELL/CHANCE. UNPUBLISHED - ALL RIGHTS RESERVED UNDER THE COPYRIGHT LAWS OF 2000 MURBELL/A. B. CHANCE.