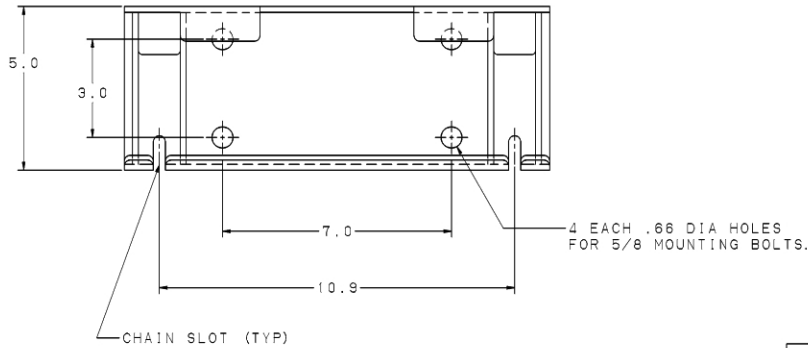
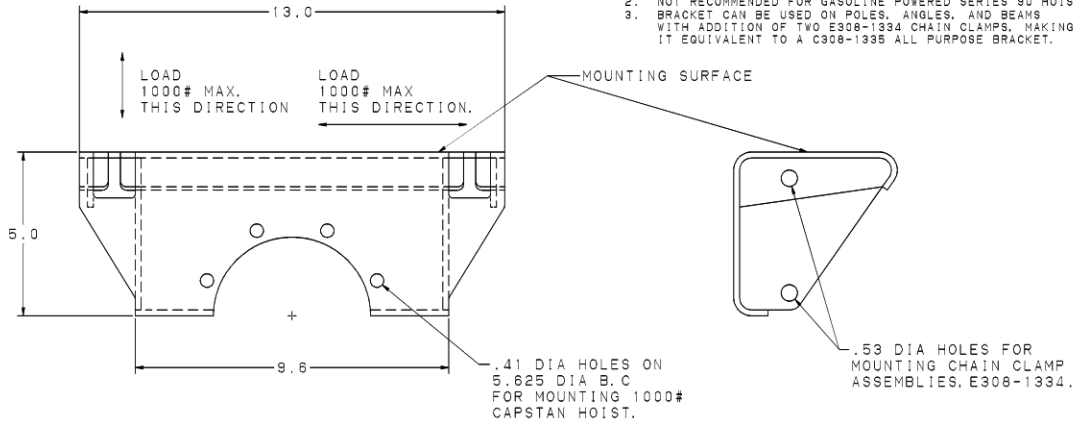


=NOTES=

1. BRACKET FOR BOLT-DOWN APPLICATIONS OF 1000# SERIES 80 CAPSTAN HOISTS.
2. NOT RECOMMENDED FOR GASOLINE POWERED SERIES 80 HOISTS.
3. BRACKET CAN BE USED ON POLES, ANGLES, AND BEAMS WITH ADDITION OF TWO E308-1334 CHAIN CLAMPS, MAKING IT EQUIVALENT TO A C308-1335 ALL PURPOSE BRACKET.



LATEST EC NO:	REV.	DATE	CHANGED BY	RESP ENGINEER
0717	-	-----	---	WEST
DO NOT SCALE THIS DWG				 THIRD ANGLE PROJECTION
ISO DUAL DIMENSIONS 1X=INCH. MM=MILLIMETER				 N
DRN BY:	DATE:	TITLE:		SIZE:
ELV	04-108-08	BRACKET, 1000# (WELDMENT)		C
				DWG NO: SA308-1321

CONFIDENTIAL: THIS DRAWING AND ITS CONTENTS ARE CONFIDENTIAL AND THE EXCLUSIVE PROPERTY OF HUBBELL. CHANGE OR REPRODUCTION, IN WHOLE OR IN PART, WITHOUT THE WRITTEN CONSENT OF HUBBELL IS PROHIBITED. © 2000 HUBBELL/A. B. CHANCE. UNPUBLISHED - ALL RIGHTS RESERVED UNDER THE COPYRIGHT LAWS