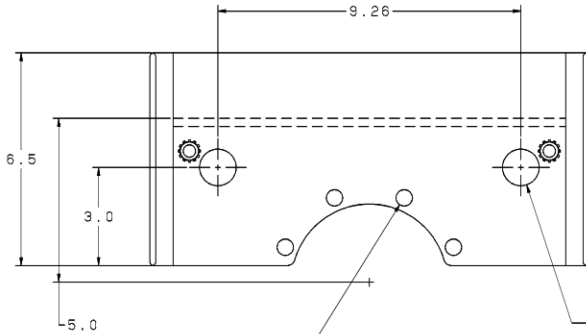
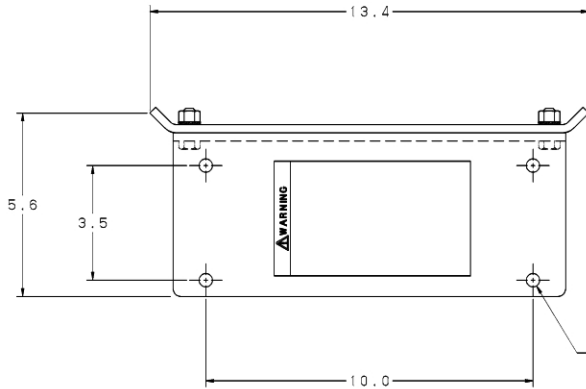


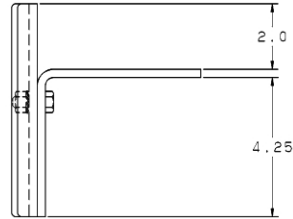
= NOTE =

1. UNIVERSAL BRACKET RECOMMENDED FOR 1000# GASOLINE HOIST. ALSO FITS OTHER 1000# SERIES 90 HOISTS AND OLDER MODEL 750 CHANCE HOISTS.
2. BRACKET FOR BOLT-DOWN APPLICATIONS. CAN BE USED ON POLES, ANGLES, OR BEAMS WITH ADDITION OF TWO C417-0346 CHAIN CLAMPS.



.50 DIA. HOLES ON 5.625 DIA. B.C. FOR MOUNTING 1000# CAPSTAN HOIST.

2 EACH 1.12 DIA HOLES FOR PASSING CHAINS THROUGH WHEN USING C417-0346 CHAIN CLAMPS.



LATEST EC NO1	REV.	DATE	CHANGED BY	RESP ENGINEER
0717	-	-----	---	WEST
DRN BY: DATE TITLE:				THIRD ANGLE PROJECTION
EL: V				ISO DUAL DIMENSIONS 1X=INCH. MM=MILLIMETER
MURBELL POWER SYSTEMS				CHANCE
DWS NO1 SA308-0925				C

CONFIDENTIAL: THIS DRAWING AND ITS CONTENTS ARE CONFIDENTIAL AND THE EXCLUSIVE PROPERTY OF HUBBELL POWER SYSTEMS. NO REPRODUCTION, DISTRIBUTION, OR DISSEMINATION OF THIS DRAWING OR ITS CONTENTS IS PERMITTED WITHOUT THE WRITTEN CONSENT OF HUBBELL POWER SYSTEMS. © 2000 HUBBELL/A. B. CHANCE. UNPUBLISHED - ALL RIGHTS RESERVED UNDER THE COPYRIGHT LAWS