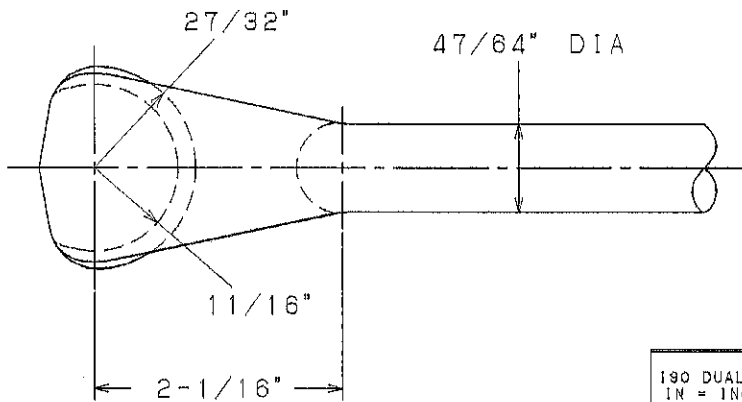


-NOTES-

1. HOT DIP GALVANIZE PER SPEC ASTM A153- (LATEST REVISION).

CATALOG NUMBER
5358



190 DUAL DIMENSIONS (IF ANY) IN = INCH, MM = MILLIMETER		THIRD ANGLE PROJECTION	REV.	DATE	BY	APPD	
DRN.	RWS	11-28-88	3/4 THREADED TWINEYE ROD				B
CHK.	DRB	11-28-88					
DSGN.	MFZ	12-02-88					
APPD.	JTO	12-02-88					
			SA5358				DO NOT SCALE THIS DWG

CONFIDENTIAL: THIS DRAWING AND ITS CONTENTS ARE CONFIDENTIAL AND THE EXCLUSIVE PROPERTY OF HUBBELL / A. B. CHANCE COMPANY. NO PUBLICATION, DISTRIBUTION OR COPIES MAY BE MADE WITHOUT WRITTEN CONSENT BY HUBBELL / A. B. CHANCE COMPANY. © 2000 HUBBELL/A. B. CHANCE. UNPUBLISHED - ALL RIGHTS RESERVED UNDER THE COPYRIGHT LAWS