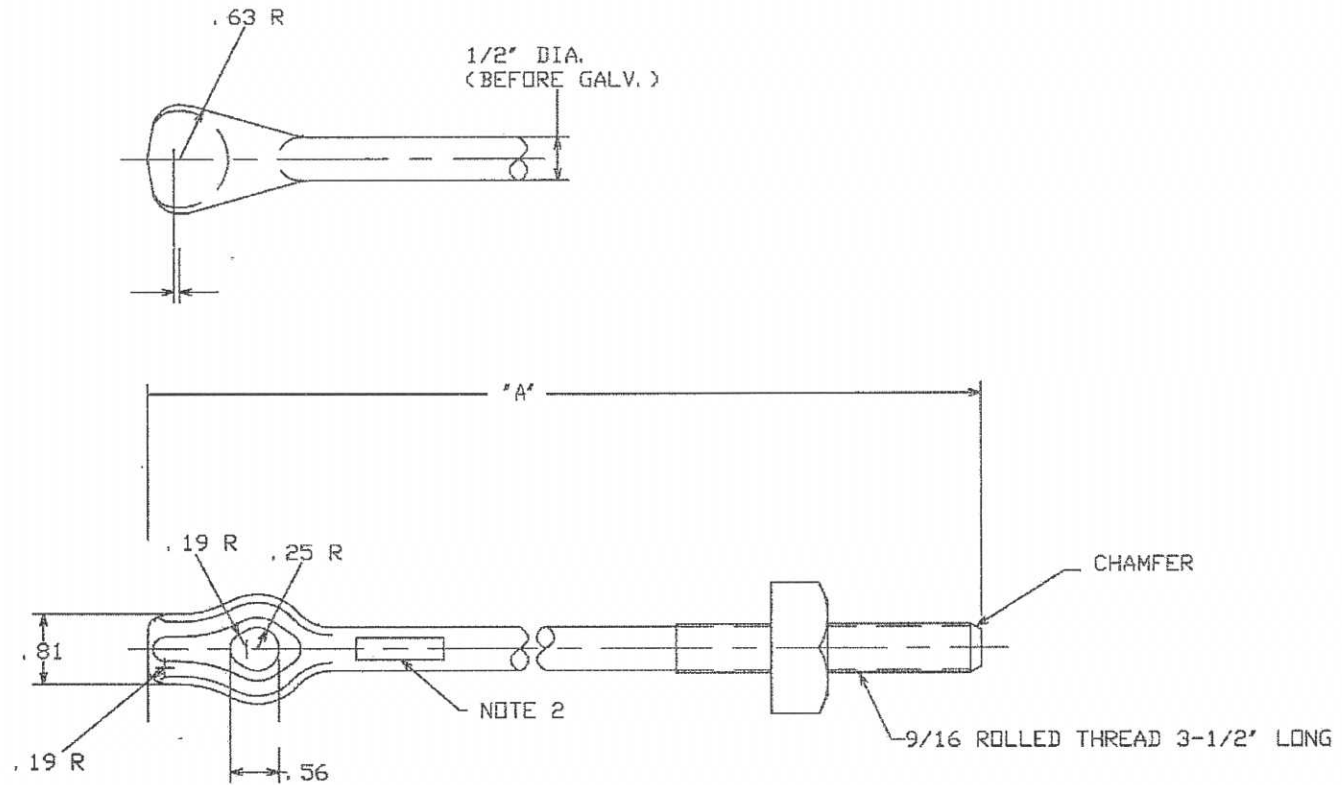


==NOTES==

1. H. D. GALV. PER ASTM SPEC. A153-(LATEST REV.).
2. STAMP ROD BEFORE GALV. AS SHOWN IN TABLE WITH 1/4 FLAT FACE CHARACTERS.



| CAT. NO. | DESCRIPTION | "A" | STENCIL |
|-------------|----------------------|-------|---------|
| 5305 | THIMBLEYE ROD, TH' D | 5'-0" | C-1/2-5 |
| 5306 | THIMBLEYE ROD, TH' D | 6'-0" | C-1/2-6 |
| 5307 | THIMBLEYE ROD, TH' D | 7'-0" | C-1/2-7 |
| 400-261-020 | THIMBLEYE ROD, TH' D | 7'-0" | 6M |

| | | | |
|--|-----------------------------------|---|-------------------------------|
| CHANCE TOLERANCE CHART <small>C. & G. 200 YORK ST. NEW YORK 28, N.Y.</small> | | HUBBELL POWER SYSTEMS <small>1000 W. 10th St. Erie, Pa.</small> | |
| <small>CONFIDENTIAL: THIS DRAWING AND ITS CONTENTS ARE CONFIDENTIAL AND THE EXCLUSIVE PROPERTY OF HUBBELL POWER SYSTEMS. NO REPRODUCTION, DISTRIBUTION OR COPIES MAY BE MADE WITHOUT THE WRITTEN CONSENT OF HUBBELL POWER SYSTEMS. HUBBELL POWER SYSTEMS UNPUBLISHED. ALL RIGHTS RESERVED UNDER THE COPYRIGHT LAW.</small> | | THREADED THIMBLEYE ROD - 1/2" | |
| <small>SIZE</small> C | <small>ENG. NO.</small> SA5305 | <small>DATE / PART / ASBY. NO.</small> SEE CHART | <small>REV.</small> - |
| <small>DO NOT SCALE THIS DRAWING</small> | <small>DRAWN BY</small> DVH | <small>DATE</small> 3-14-13 | <small>SHEET</small> 01 of 01 |