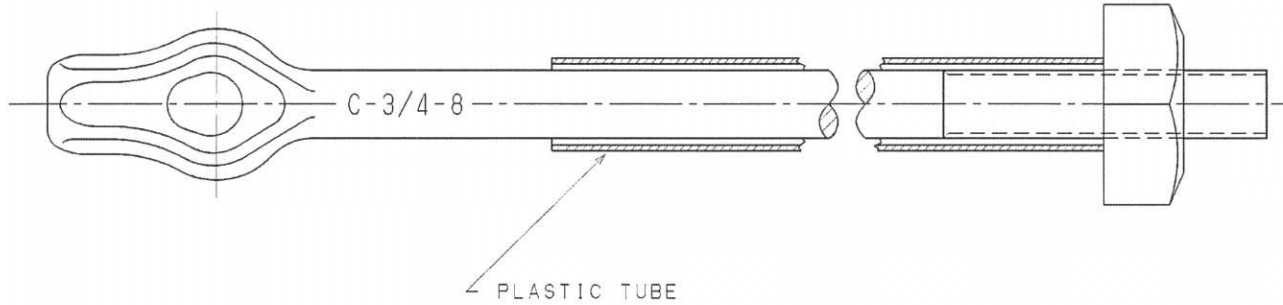


-NOTES-

1. MATERIAL: STEEL, HOT DIP GALVANIZED  
PER ASTM A153 (LATEST REVISION).



LATEST EC NO:		REV.	DATE	CHANGED BY	RESP ENGINEER
91082803		-	-----	---	ODOM
					DO NOT SCALE THIS DWG THIRD ANGLE PROJECTION 1:50 DUAL DIMENSIONS IN=INCH, MM=MILLIMETER
DRN BY:	DATE	TITLE:			SIZE
KOEHLER	08-30-91	THREADED THIMBLEYE ROD 3/4"			C
				DWG NO: SA200-0090	

CONFIDENTIAL: THIS DRAWING AND ITS CONTENTS ARE CONFIDENTIAL AND THE EXCLUSIVE PROPERTY OF HUBBELL POWER SYSTEMS COMPANY. NO REPRODUCTION OR DISSEMINATION OF THIS DRAWING OR ITS CONTENTS IS PERMITTED WITHOUT WRITTEN CONSENT BY HUBBELL POWER SYSTEMS COMPANY. COPIES MAY BE MADE WITHOUT WRITTEN CONSENT BY HUBBELL POWER SYSTEMS COMPANY. © 2000 HUBBELL/A. B. CHANCE. UNPUBLISHED -- ALL RIGHTS RESERVED UNDER THE COPYRIGHT LAWS