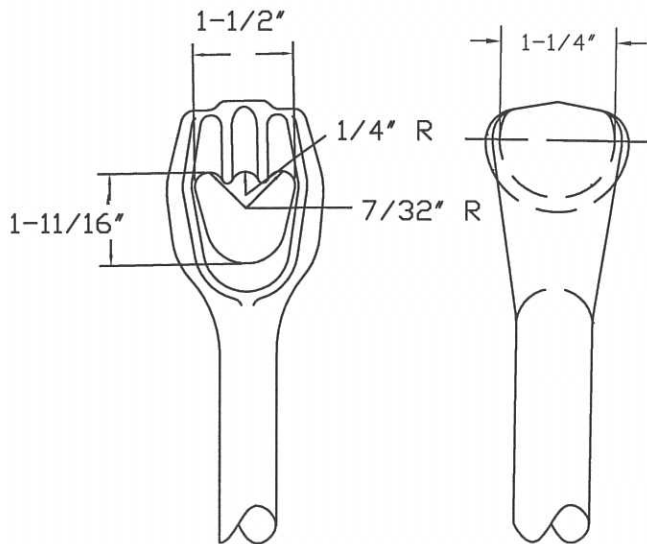
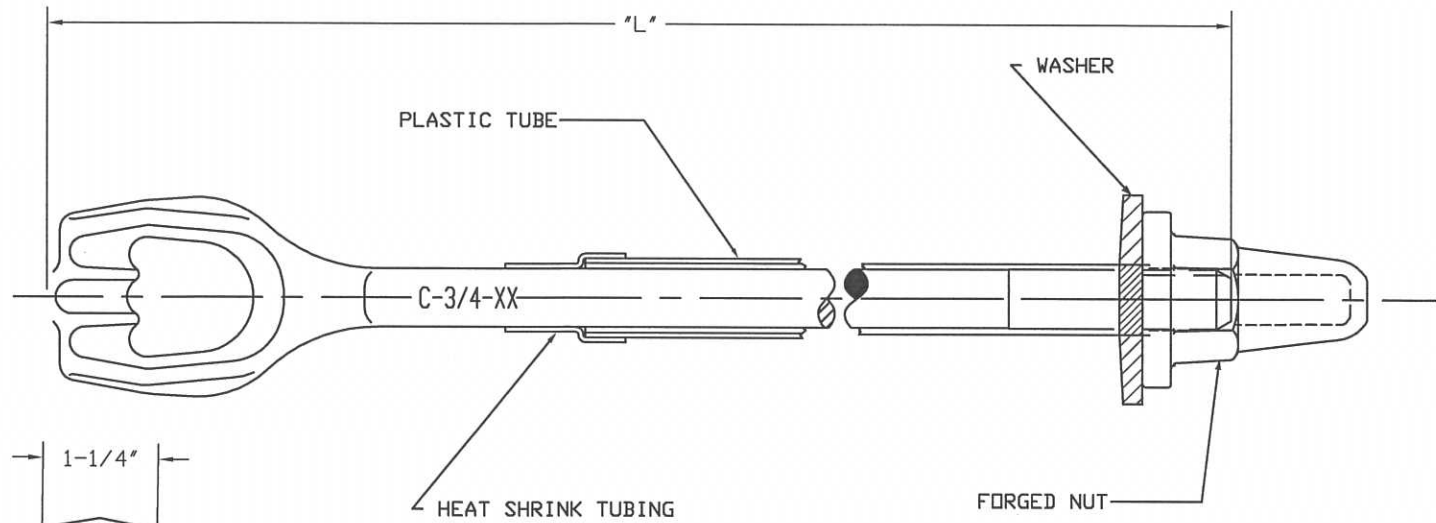



-NOTES-

1. MATERIAL: STEEL, HOT DIP GALVANIZED PER ASTM A153 (LATEST REVISION).
2. FINISH: BLACK ASPHALT COATING.
3. XX DENOTES THE LENGTH STAMP OF THE ROD. SEE "L" FOR LENGTHS.



CATALOG NUMBER	"L"
C2000061AW	8'
C2000062AW	9'

CHANCE		 HUBBELL POWER SYSTEMS	
<small>POWER SYSTEMS, INC.</small> TITLE THREADED TRIPLEYE® ROD 3/4"		SIZE SB SA2000061AW	DWG NO. REV -
<small>CONFIDENTIAL: THIS DRAWING AND ITS CONTENTS ARE CONFIDENTIAL AND THE EXCLUSIVE PROPERTY OF HUBBELL POWER SYSTEMS. NO PUBLICATION, DISTRIBUTION OR COPIES MAY BE MADE WITHOUT THE WRITTEN CONSENT OF HUBBELL POWER SYSTEMS. HUBBELL POWER SYSTEMS UNPUBLISHED ALL RIGHTS RESERVED UNDER THE COPYRIGHT LAWS.</small>		<small>DO NOT SCALE THIS DRAWING</small>	<small>DRN BY MEB</small>
		<small>DATE 12/2/15</small>	<small>SHEET 1/1</small>