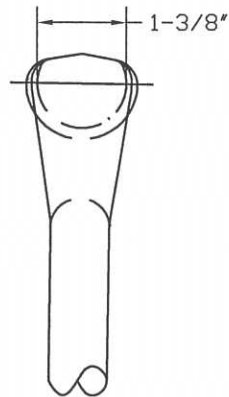
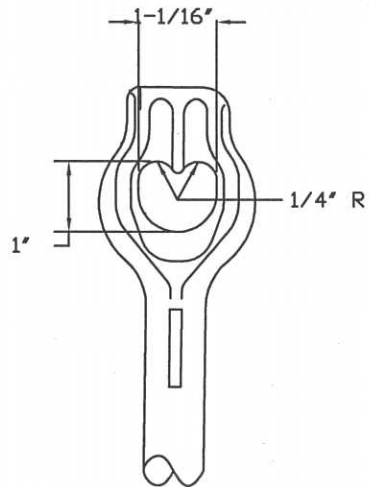
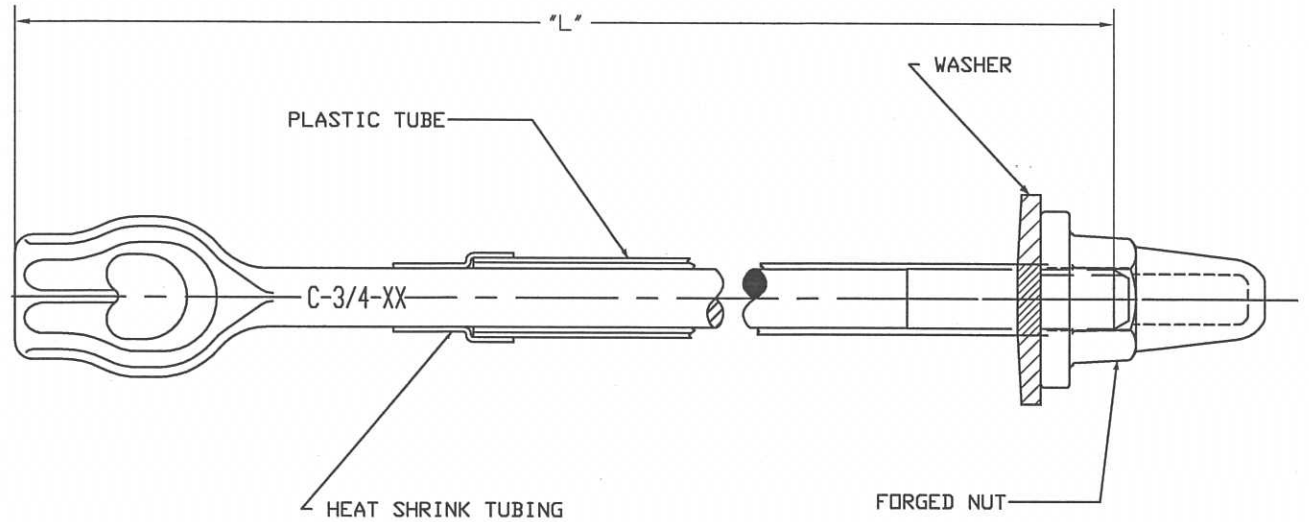



-NOTES-

1. MATERIAL: STEEL, HOT DIP GALVANIZED PER ASTM A153 (LATEST REVISION).
2. FINISH: BLACK ASPHALT COATING.
3. XX DENOTES THE LENGTH STAMP OF THE ROD. SEE 'L' FOR LENGTHS.



CATALOG NUMBER	'L'
C2000053AW	6'
C2000054AW	7'
C2000055AW	8'
C2000056AW	9'
C2000057AW	10'

CHANCE		 <b>HUBBELL POWER SYSTEMS</b>	
<small>CONFIDENTIAL: THIS DRAWING AND ITS CONTENTS ARE CONFIDENTIAL AND THE EXCLUSIVE PROPERTY OF HUBBELL POWER SYSTEMS. NO PUBLICATION, DISTRIBUTION OR COPIES MAY BE MADE WITHOUT THE WRITTEN CONSENT OF HUBBELL POWER SYSTEMS. HUBBELL POWER SYSTEMS UNPUBLISHED ALL RIGHTS RESERVED UNDER THE COPYRIGHT LAWS.</small>		TITLE <b>THREADED TWINEYE®                  ROD 3/4"</b>	
SIZE	DWG NO.	REV	
SB	SA2000053AW	-	
DO NOT SCALE THIS DRAWING	DRN BY MEB	DATE 12/2/15	SHEET 1/1