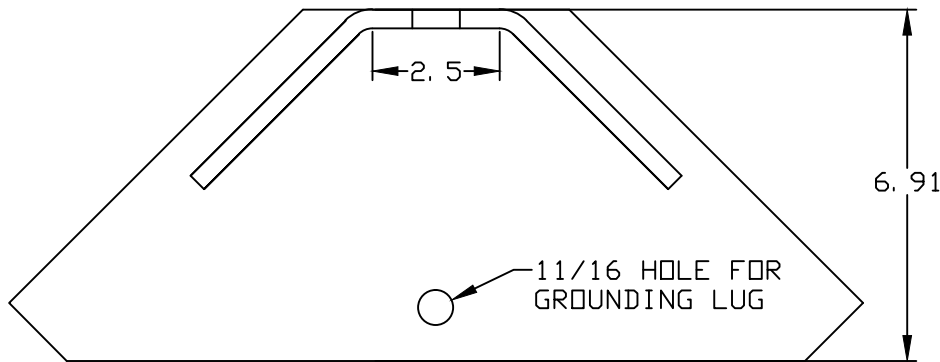
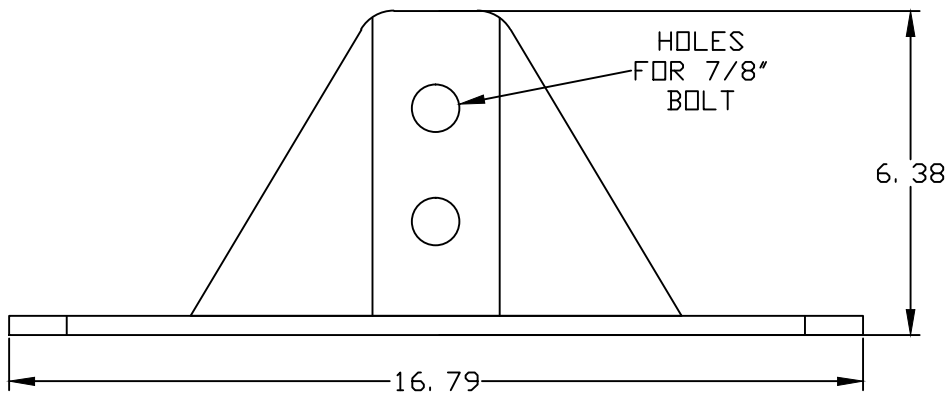
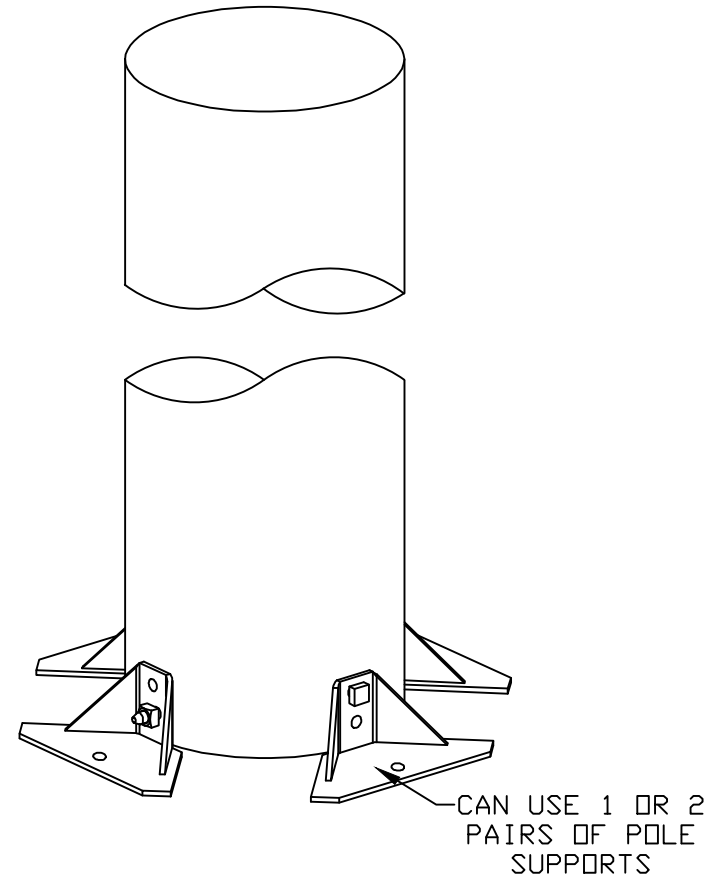


-NOTES-

1. MATERIAL: STEEL PLATE PER ASTM A36, 3/8" THICK.
2. FINISH: HOT DIP GALVANIZE ASTM-A153-(LATEST REV.)
3. ONE POLE SUPPORTS ADDS 90 IN<sup>2</sup> OF AREA TO BOTTOM OF POLE.



CAT. NO. C1100926  
 (SOLD AS A SINGLE UNIT, NOT IN PAIRS)



BOLTS (SOLD SEPARATELY)		
DESC.	CAT. NO.	LENGTH
7/8" MACH. BOLT	C2050256	18"
7/8" MACH. BOLT	C2050257	20"
7/8" MACH. BOLT	C2050258	22"

CHANCE		HUBBELL POWER SYSTEMS		
<small>CONFIDENTIAL: THIS DRAWING AND ITS CONTENTS ARE CONFIDENTIAL AND THE EXCLUSIVE PROPERTY OF HUBBELL POWER SYSTEMS, INC. NO PUBLICATION, DISTRIBUTION OR COPIES MAY BE MADE WITHOUT THE PRIOR WRITTEN CONSENT OF HUBBELL POWER SYSTEMS, INC. HUBBELL POWER SYSTEMS UNPUBLISHED ALL RIGHTS RESERVED UNDER THE COPYRIGHT LAWS.</small>		POLE SUPPORT		
		<small>SIZE</small> -- SA1100926	<small>DWG NO.</small> C1100926	<small>CAT / PART / ASSY NO.</small> C1100926
<small>DO NOT SCALE THIS DRAWING</small>	<small>DRN BY</small> TLW	<small>DATE</small> 3/30/11	<small>SHEET</small> 1/1	