

Section L Index

LAMP HOLDERS

Fluorescent Lampholders

Medium Bi-Pin.....	L1
Slimline.....	L2
Recessed Double Contact.....	L3
Snap-In Quickwire.....	L4
Fluorescent Starters and Starter Socket.....	L5

Incandescent Lampholders

Medium Base Box Mounting.....	L6
Mogul and Medium Base.....	L7

Plug-In Adapters.....	L8
-----------------------	----

Cartridge Fuse Holders.....	L8
-----------------------------	----

Fluorescent Lampholders

Medium Bi-Pin

Features - Specifications

- Rating 660W – 600 volts
- Molded, white thermoset urea
- Heavy-gauge, copper-alloy contacts
- Contacts silver plated to assure reliable, low-resistance junction with lamp pins
- Quickwire pressure terminals (except 4300W)
- Center guidepost for easy lamp insertion
- UL Listed File #E5570 – Guide #OKCT
- CSA Certified File #LR19195 – Guide #240-A-5.14 Class 6231 (except 4300W)



4051



4070



4301W



4304W



4400W



4300W

MEDIUM BI-PIN – LAMP SIZE T8, T12

CATALOG NUMBER	DESCRIPTION
4051 ①	White, Pal-nut installed, with slide-on lugs for 18-gauge metal
4070 ②	White, U-bend lampholder with slide-on lugs for 18-gauge metal
4301W	White, tapped bracket, .315 (8.0) thick, #6-32x ¹ / ₄ " screw assembled

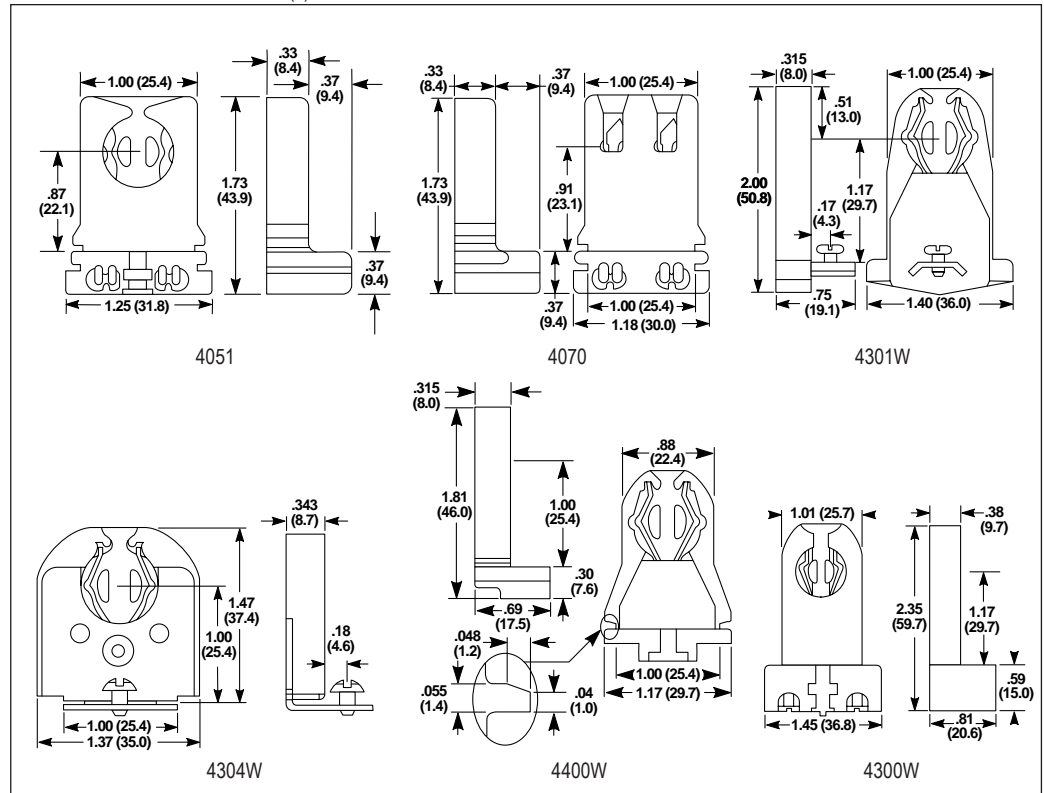
MEDIUM BI-PIN LOW PROFILE – LAMP SIZE T8, T12

CATALOG NUMBER	DESCRIPTION
4304W	White, tapped bracket, .343 (8.7) thick, screw assembled
4304W12	White, without bracket, with centered vertical slot in base to engage lance tab, .343 (8.7) thick
4304W7	White, center hole tapped for #8-32 screw, .343 (8.7) thick

MEDIUM BI-PIN – LAMP SIZE T6, T8, T12 FOR PRE-HEAT OR RAPID START LAMPS

CATALOG NUMBER	DESCRIPTION
4400W	White, .315 (8.0) thick with "U" base, slide on lugs
4300W	White tombstone with terminal screws

PRODUCT DIMENSIONS – () Indicates mm dimensions



① Screws supplied separately.
② U Bend circuit interrupting not available.
Specifications are subject to change without notice.

Fluorescent Lampholders

Slimline

Features - Specifications

- Type: Slimline
- Rating: 660W, 600V primary, 1000V secondary
- Molded, white thermoset urea
- Lamp size T6, T8, T12
- Entire contact assembly silver-plated for low contact resistance
- Quickwire terminals accept #18 AWG
- UL Listed
- CSA Certified



4385W7



4386W7

SLIMLINE

CATALOG NUMBER	DESCRIPTION
4385W7	White stationary end, quick wired with slide-on lugs and solid platform
4386W7	White plunger end, quick wired with slide-on lugs and solid platform
4376	White stationary tombstone with p nut and screw installed
4377	White plunger tombstone with p nut and screw installed

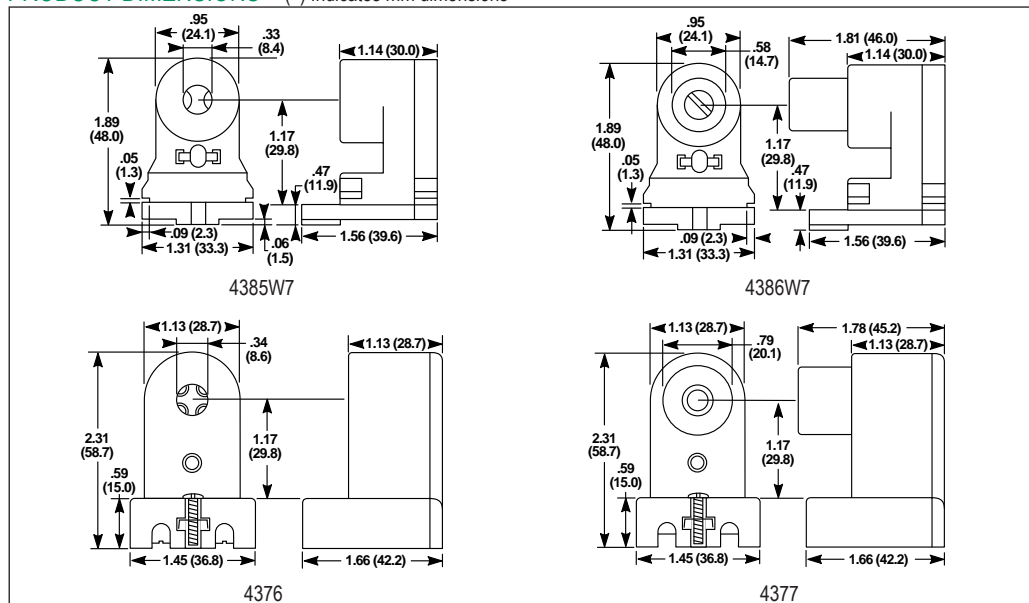


4376



4377

PRODUCT DIMENSIONS – () Indicates mm dimensions



Specifications are subject to change without notice.

Fluorescent Lampholders

Recessed Double Contact



4876



4877



650SH



650PH



650SHB



650PHB

Features - Specifications

- Type – Recessed Double Contact
- Rating – 660W, 600V
- Contact assembly silverplated for low contact resistance
- Lamp size T12, T17
- Proper plunger tension for good contact pressure and lamp retention, yet easy to relamp
- Molded, white thermoset urea
- Approved for use with #18 AWG wire (650 Series)
- UL Listed File #E5570 –Guide #OKCT
- CSA Certified File #LR19195 – Guide #240-A-5.14 Class 6231 (650 Series only)

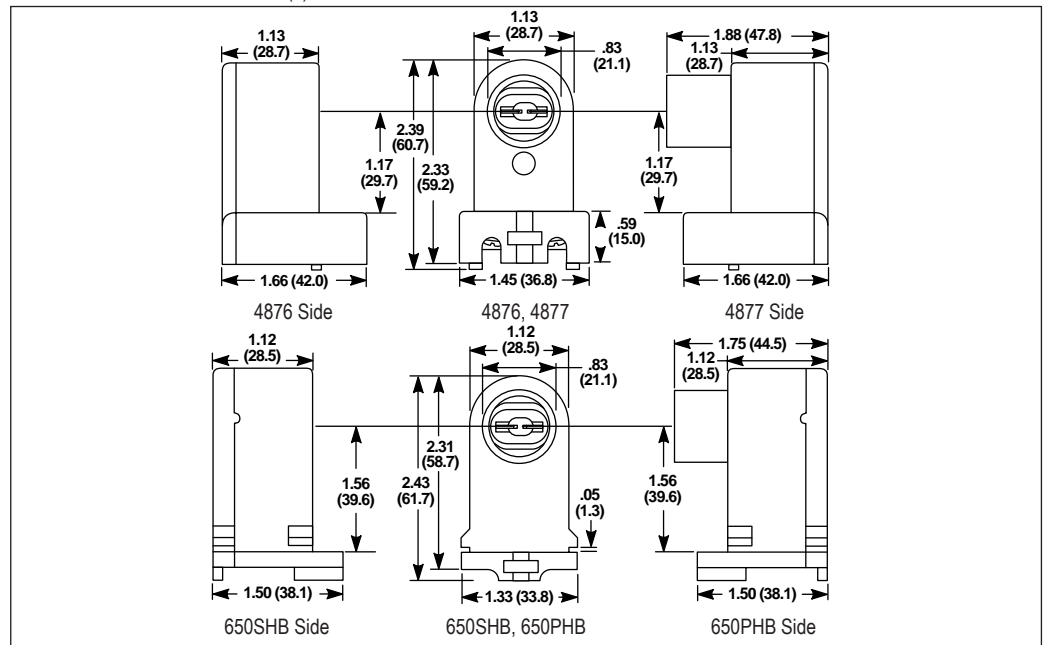
Application

- 4876, 4877 – HO, VHO, or SHO lamps
- 650 Series – RDC, HO, VHO, SHO and PG lamps

RECESSED DOUBLE CONTACT

CATALOG NUMBER	DESCRIPTION
4876	Horizontal stationary end, terminal screws
4877	Horizontal plunger end, terminal screws
650SH	Horizontal stationary, with "U" slot base
650PH	Horizontal plunger, with "U" slot base
650SHB	Horizontal stationary, with slide-on lugs and platform
650PHB	Horizontal plunger, with slide-on lugs and platform

PRODUCT DIMENSIONS – () Indicates mm dimensions



Specifications are subject to change without notice.

Fluorescent Lampholders

Snap-In Quickwire



600S



600P



610S



610P



620S



620P



4455

Features - Specifications

SLIMLINE, MEDIUM BI-PIN, RECESSED DOUBLE CONTACT

- Rating – 660W, 600V (H.V. slimline 1000V)
- Lamp size – T6, T8, T12, T17
- Color locating key simplifies assembly
- Quick snap-in mounting
- Quickwire spring grip terminals

- UL Listed File #E5570 – Guide #OKCT
- CSA Certified File #LR19195 – Guide #240-A-5.14 Class #6231
- 4455 – UL Recognized Component Listed for United States and Canada - UL File #E5570

MEDIUM BI-PIN, 660 WATTS 600V

CATALOG NUMBER	DESCRIPTION
600S	Medium bi-pin, stationary end
600P	Medium bi-pin, plunger end
4455	Medium bi-pin weather protective molded (PVC) lampholder with wire leads

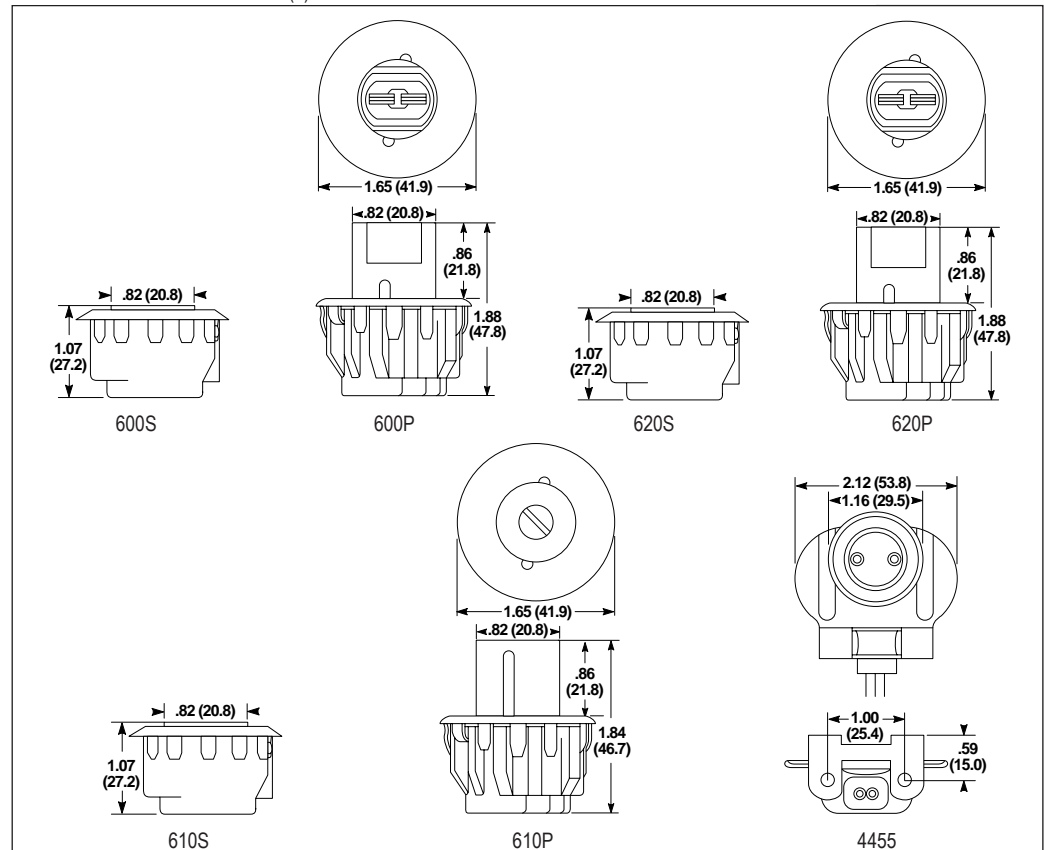
SLIMLINE, 660 WATTS 1000V

CATALOG NUMBER	DESCRIPTION
610S	Slimline, stationary end
610P	Slimline, plunger end

RECESSED DOUBLE CONTACT, 660 WATTS 600V

CATALOG NUMBER	DESCRIPTION
620S	Recessed double contact, stationary end
620P	Recessed double contact, plunger end

PRODUCT DIMENSIONS – () Indicates mm dimensions



Specifications are subject to change without notice.

Fluorescent Starters and Starter Socket

Features - Specifications

- Manual reset starters cut and lock out defective lamps from circuit. Protects ballast. When lamps are replaced, thermal cut out relay is reset by pressing button.
- Standard type starters recommended for installations where defective lamps are replaced within one hour and lights are turned on five or more times a day
- All starters are made with heavy-duty, long-life ceramic condensers, desirable for high temperature and high humidity areas
- UL Listed
- CSA Certified
- Conforms to ANSI Specification C78.180
- Verified under Federal Specification W-S-755

FLUORESCENT STARTER SOCKET

- Rating – 660W, 250V
- UL Listed



FS4A

MANUAL RESET STARTERS

CATALOG NUMBER	NUMBER OF PINS	LAMP WATTS
FS20A	2	14, 15 and 20 watts
FS40/400A	2	40 watts
FS850	4	85, 90 and 100 watts

STANDARD TYPE STARTERS

CATALOG NUMBER	NUMBER OF PINS	LAMP WATTS
FS2A	2	14, 15 and 20 watts
FS4A	2	13, 30 and 40 watts
FS5A	2	4, 6 and 8 watts
FS25A	2	25 watts
FS854 ①②	4	85, 90 and 100 watts



FS850

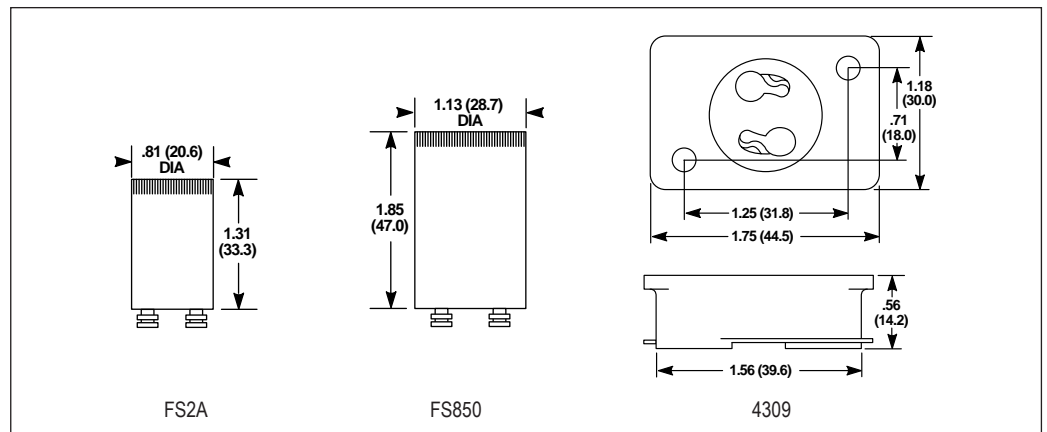
FLUORESCENT STARTER SOCKET – FOR FS2, FS4, FS4NA, FS5, FS20, FS25, FS40/400

CATALOG NUMBER	DESCRIPTION
4309	Standard size – 2 pin



4309

PRODUCT DIMENSIONS – () Indicates mm dimensions



① Not CSA Certified.
② To be discontinued when supplies are exhausted.
Specifications are subject to change without notice.

Incandescent Lampholders

Medium Base

Features - Specifications

- Type – medium base
- Rating – 250 or 660 watts, 125, 250 or 600 volts
- Heavy-duty grade
- Copper-alloy screw shell
- Binding screw terminals
- Porcelain body
- UL Listed File #E1342 –Guide #ONHR

MEDIUM BASE – 3¼" (82.6) AND 4" (101.6) BOX MOUNTING



84



174

CATALOG NUMBER	RATING		DESCRIPTION
	WATTS	VOLTS	
84	660	600	Keyless, mounted on 4" (101.6) round metal box cover, with two #14 AWG 6" (152.4) wire leads
174	660	600	Keyless, mounted on 4" (101.6) round metal box cover
5228	660	250	Keyless
5288	250	250	Pull chain, with cord
5291	250	125	Pull chain, with cord and 15 amp 125V grounding receptacle

PRODUCT DIMENSIONS – () Indicates mm dimensions



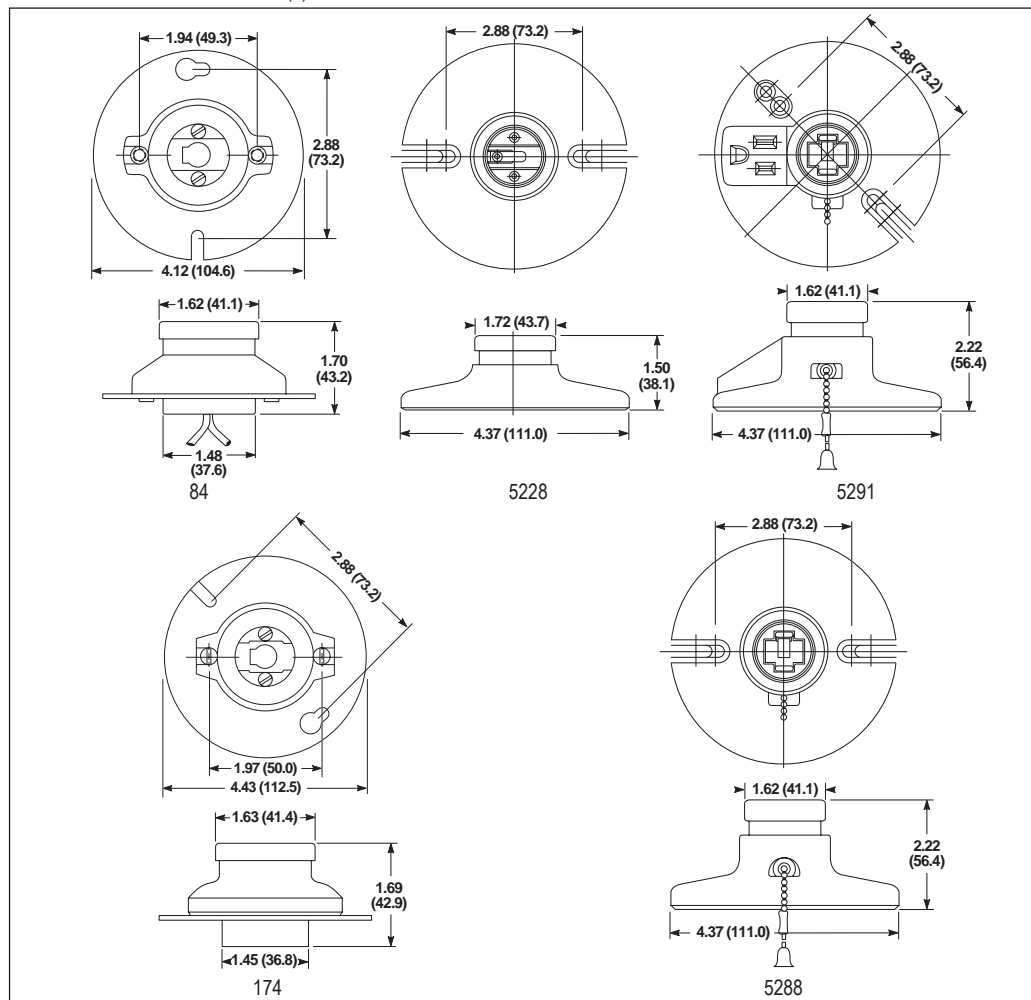
5228



5288



5291



Specifications are subject to change without notice.

Incandescent Lampholders

Mogul and Medium Base

Features - Specifications

- Type – medium and mogul base
- Rating – 660, 1000, 1200, or 2500 watts 250 volts
- Porcelain base (3742, 3842, 4229)
- Heat resistant thermoplastic base (3743R)
- Binding screw terminals
- Copper-alloy screw shells (4229)
- UL Listed File #E15016 – Guide #001X
- CSA Certified – Guide #240-A-9.90 Class 6231 (3742)

Applications

- 4229 – sign and fixtures
- Prefocus – where the light source is required at the focal point of the reflector, such as photoelectric systems, stage lighting, aircraft and projection equipment



4229



3742



3743R

MEDIUM BASE – CLEAT WIRING TYPE

CATALOG NUMBER	RATING		DESCRIPTION
	WATTS	VOLTS	
4229	660	250	White porcelain base, cleat or concealed wiring

MEDIUM BASE – PREFOCUS TYPE

CATALOG NUMBER	RATING		DESCRIPTION
	WATTS	VOLTS	
3742	1200	250	White porcelain base, surface or clamp mounting
3743R	1000	250	Black thermoplastic base, surface or clamp mounting

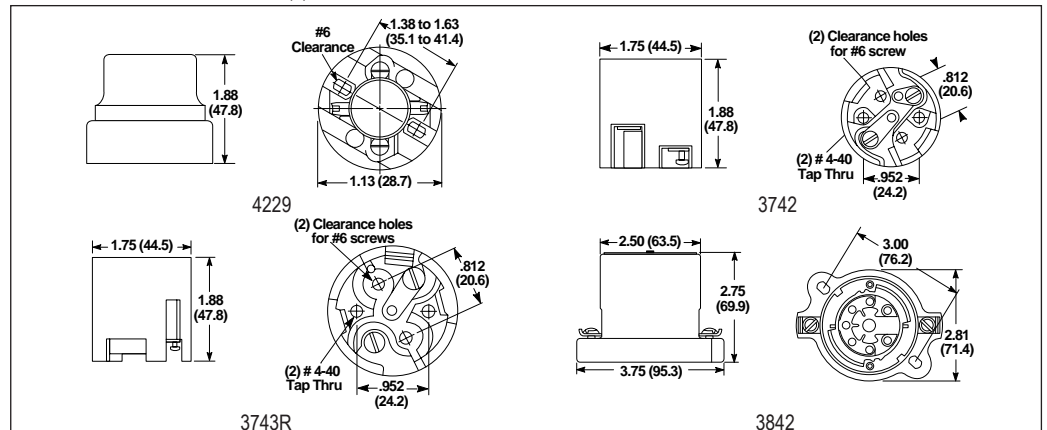
MOGUL BASE – PREFOCUS TYPE

CATALOG NUMBER	RATING		DESCRIPTION
	WATTS	VOLTS	
3842	2500	250	Gray porcelain base, surface mounting



3842

PRODUCT DIMENSIONS – () Indicates mm dimensions



Specifications are subject to change without notice.

Plug-In Adapters Cartridge Fuse Holders



5273L



5272



17GI



9053AB



9054AB



1917

Features - Specifications

ADAPTER CATALOG NUMBERS

17G and 17GI

- UL Listed File #E3382 –Guide #EMDV

CATALOG NUMBERS

5272 and 5273L

- UL Listed File #E1381 – Guide #AXUT

CARTRIDGE FUSE HOLDERS

- Barrier type
- White glazed, heavy-duty porcelain
- High heat and moisture resistance

CATALOG NUMBERS

- 9053AB and 9054AB
- Nylon construction
- Non-NEMA locking configuration
- Binding screw terminals
- Copper-alloy contacts
- For UL Class RK-5 Fuses
- UL Listed File #E2265 –Guide #IZLT

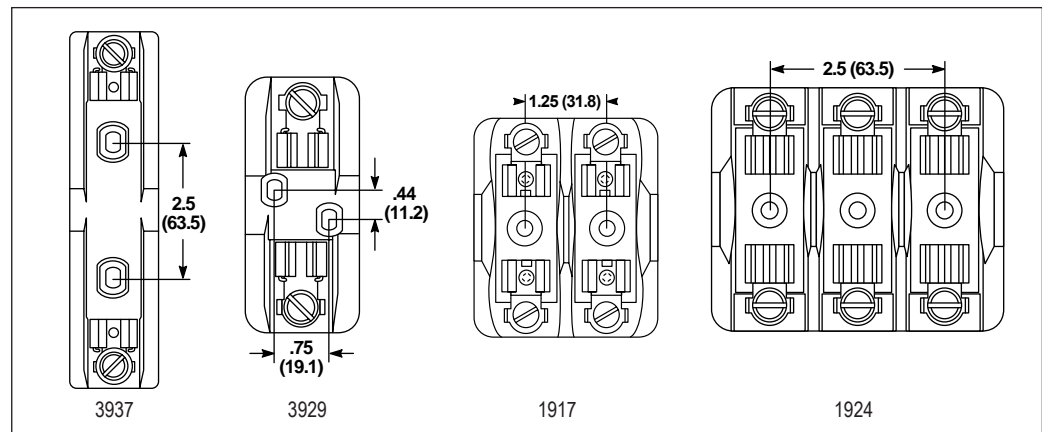
PLUG-IN ADAPTERS

CATALOG NUMBER	RATING	CONFIGURATION	DESCRIPTION
17G 17GI	15A 125V		Grounding cube tap, brown Polarized slots Grounding cube tap, ivory Polarized slots
5272	15A 125V		Converts 2-pole 2-wire receptacle to accept 2-pole 3-wire plug, vinyl plastic, with solid grounding ear
5273L	15A 125V		Converts 2-pole 2-wire receptacle to accept 2-pole 3-wire plug, black phenolic, with solid grounding ear
9053AB	15A 125V		Male end: 3-wire 10A, 250V 15A, 125V Non-NEMA locking blades; Female end: 3-wire 15A, 125V straight slot grounding
9054AB	15A 125V		Male end: 3-wire 15A 125V straight blade grounding; Female end: 10A 250V, 15A 125V Non-NEMA locking slots

CARTRIDGE FUSE HOLDERS

CATALOG NUMBER	RATING		DESCRIPTION	DIMENSIONS		
	AMPS	VOLTS		LENGTH INCHES	WIDTH INCHES	HEIGHT INCHES
3937	1-30	600V	Single pole	6 ⁷ / ₁₆ (163.5)	1 ¹¹ / ₁₆ (42.9)	1 ³ / ₄ (44.5)
3929	1-30	250V	Single pole	3 ⁷ / ₁₆ (87.3)	1 ¹⁷ / ₃₂ (38.9)	1 ¹ / ₂ (38.1)
1917	1-30	250V	Double pole	3 ⁵ / ₁₆ (84.2)	2 ¹³ / ₁₆ (71.5)	1 ⁷ / ₁₆ (36.5)
1924	1-30	250V	Triple pole	3 ⁵ / ₁₆ (84.2)	4 ¹ / ₁₆ (103.2)	1 ⁷ / ₁₆ (36.5)

PRODUCT DIMENSIONS – () Indicates mm dimensions



- Ⓢ Not UL Listed.
- Ⓢ Must always be used with grounded receptacle.

Note: Adapters are not intended to be used as a replacement for permanent devices. They are intended for temporary use only. Specifications are subject to change without notice.