

# AC Switches

Commercial Grade

15 Amp 120-277V AC; 20 Amp 120-277V AC, Side Wired

## Features - Specifications

- AC – general use snap switches are designed for controlling as permitted by the NEC, resistive, inductive, tungsten-filament, fluorescent and motor loads for AC branch lighting and appliance circuits
- Terminal screws: combination Phillips/slotted/Robertson binding head, accepts up to #10 wire
- Approved for CU wire only
- Integral green, combination Phillips/slotted/Robertson hex head grounding screw provided
- Thread cleaning captive combination Phillips/slotted/Robertson mounting screws
- Nylon toggle
- Silver cadmium oxide contacts
- One-piece copper-alloy contact arm for excellent conductivity
- High impact/chemical resistant rocker and coil compression spring for smooth, quiet action
- UL Listed File #E1464 – Guide #WMUZ
- CSA Certified File #LR375 – Guide #380-W-19.7
- Complies with UL 20 and NEMA Standard WD-1
- NOM



CS115B



CS115BI



CS315BIC



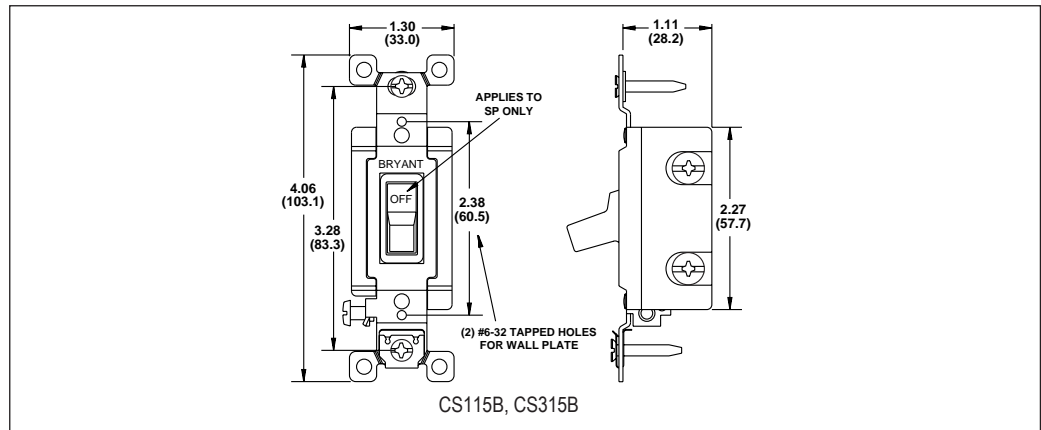
CS315BIC Side

CATALOG NUMBER		DESCRIPTION
15 AMP 120-277V AC	20 AMP 120-277V AC	
CS115B	CS120B	Single-pole, brown handle
CS115BLK	CS120BLK	Single-pole, black handle
CS115BGRY	CS120BGRY	Single-pole, gray handle
CS115BGRYC	CS120BGRYC	Single-pole, gray handle w/Robertson head screws
CS115BC	CS120BC	Single-pole, brown handle w/Robertson head screws
CS115BI	CS120BI	Single-pole, ivory handle
CS115BIC	CS120BIC	Single-pole, ivory handle w/Robertson head screws
CS115BW	CS120BW	Single-pole, white handle
CS115BWC	CS120BWC	Single-pole, white handle w/Robertson head screws
CS315B	CS320B	3-way, brown handle
CS315BLK	CS320BLK	3-way, black handle
CS315BGRY	CS320BGRY	3-way, gray handle
CS315BGRYC	—	3-way, gray handle w/Robertson head screws
CS315BC	—	3-way, brown handle w/Robertson head screws
CS315BI	CS320BI	3-way, ivory handle
CS315BIC	—	3-way, ivory handle w/Robertson head screws
CS315BW	CS320BW	3-way, white handle
CS315BWC	—	3-way, white handle w/Robertson head screws

## HORSEPOWER RATED

RATING	120V	240V	MAX
15 AMP	½ HP	2 HP	12 AMP
20 AMP	1 HP	2 HP	16 AMP

## PRODUCT DIMENSIONS – ( ) Indicates mm dimensions



Specifications are subject to change without notice.